
COVID-19 RAPID RESPONSE: MOBILE MEDICAL UNITS & MULTIPURPOSE DEPLOYABLE UNITS



PROPOSED SPRUNG STRUCTURE SOLUTION FOR ILLUSTRATIVE PURPOSES

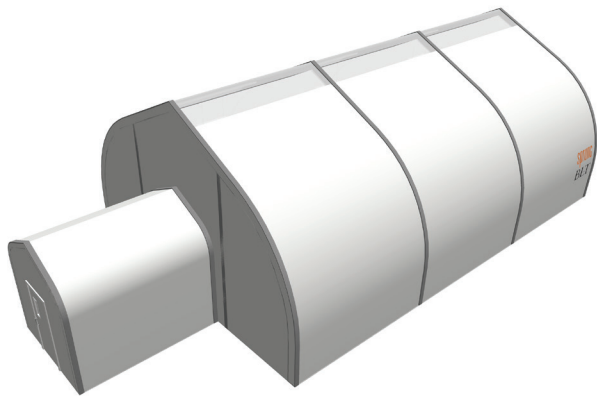
FOR IMMEDIATE 24-HOUR RESPONSE CONTACT
EMRESPONSE@BLTCONSTRUCTION.COM



RAPID RESPONSE BUILDING SOLUTION

Sprung Structures are prefabricated structures that are rapidly deployable by air or ground from a centralized logistics centre.

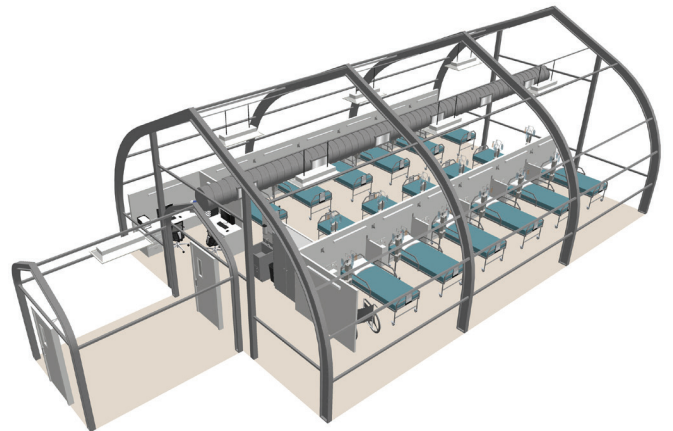
These structures can be erected quickly, are easily dismantled, and can be repurposed and reused. This is a turnkey solution with Installation options available.



CAPABILITY IN NORTHERN CLIMATES

Sprung Structures are ideal for northern climates with R-25 insulation capabilities, plus a host of fit-out options for medical use including power, and HVAC with negative pressure systems.

The structure's performance architectural membrane is anti-microbial and suited for medical applications.





YOUR TRUSTED BUILDING PARTNER

For the last 18 years, BLT has partnered with Sprung. This long term partnership means that we are experts at deploying and building Sprung Structures for different geographical sites and at different scales.

With BLT, you receive one point of contact to assist you with all the functional needs of your facility.

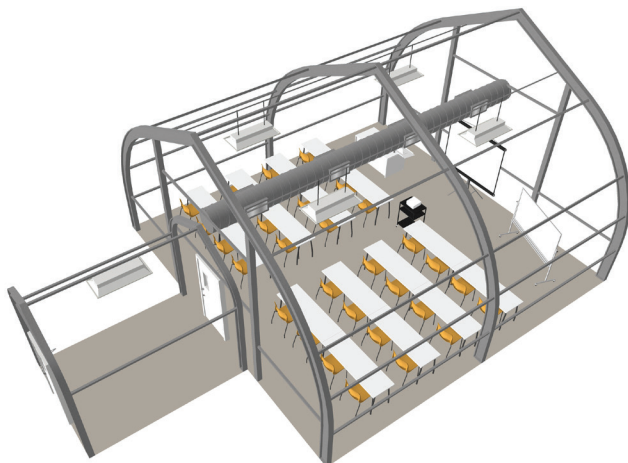
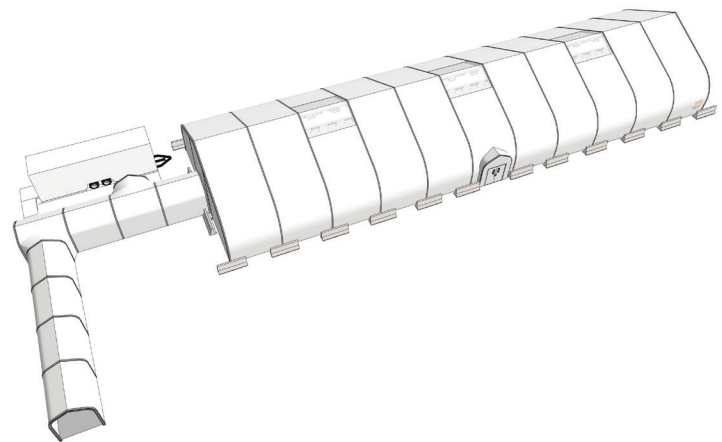


SCALABILITY & REUSE

BLT has the ability to execute Sprung projects at multiple scales. We are currently building capacity for 200-300 hospital beds per week.

The interiors for these units may be modified to accommodate multiple setups, from triage to fully enclosed ICU rooms.

Sprung Structures can be relocated, moved, and repurposed for future applications within the community.



OUR PARTNERS





CAPABILITIES STATEMENT

OVERVIEW

Alpha Sky is a First Nations company with the ability to assist in remote communities, and effectively communicate community needs.



CAPABILITIES STATEMENT

OVERVIEW

Makhos Inc. is a specialized staffing, training and consulting company designed to support Indigenous Peoples gain meaningful employment within industry. Makhos has strong community engagement capabilities.





CAPABILITIES STATEMENT

COMPANY OVERVIEW

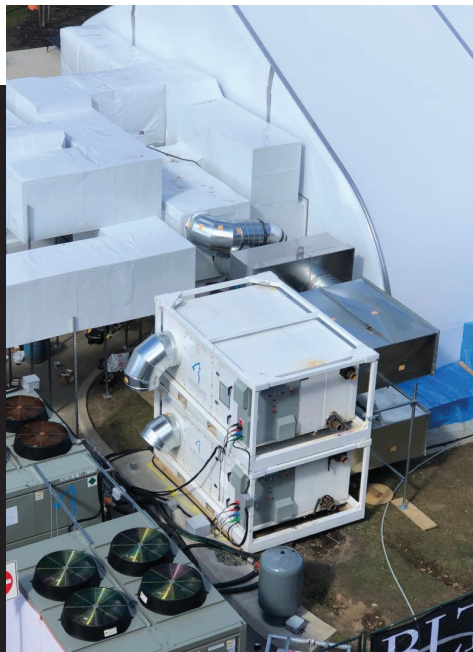
- Strong safety culture
- National company with Regional Support Offices
- Plan Group has large, diverse, and inclusive workforce available
- Team culture of integration with partners
- Ability to handle both scale and complexity challenges
- Ability to train local operators to assume operation of facility

INSTALLATION CAPABILITIES

- Mechanical
- Electrical
- Technology (WiFi, BAS, Life Safety)
- Medical Gas
- General support to structural installation team

LOGISTICS CAPABILITIES

- Pre-fabrication support for Electrical and Mechanical items
- Project management support
- Accessible work force in remote regions
- Away team comprised of experienced project management and field teams





Capabilities Statement

Emergency Relief & Disaster Recovery

Core Competencies

Sprung designs and manufactures high-performance, tensioned membrane structures to meet immediate and long-term shelter needs for diverse market sectors around the world. Sprung's relocatable, clear-span structures are precision-engineered with high-strength aluminum alloy and proprietary tensioned membrane. They provide rapid construction, extreme all-weather performance, design flexibility and long-term durability with fundamental cost efficiency. Sprung has completed more than 13,000 projects in more than 100 countries.

Market Sectors

Non-Industrial

- **Emergency Relief & Disaster Recovery**
- Commercial
- Hospitality
- Sports & Recreation Facilities
- Corrections
- Government
- Places of Worship
- Educational Facilities
- First Nations
- Homeless Shelters

Industrial

- Construction & Warehouses
- Manufacturing Facilities
- Environmental
- Oil & Gas
- Mining
- Power/Energy
- Military Shelters
- Transportation
- Greenhouses

Emergency Relief & Disaster Recovery

Government agencies, non-profits, and natural disaster relief organizations around the world rely on Sprung for disaster recovery structures. Past applications include emergency operations, shelter and distribution centers in Canada, Haiti and New York City; hurricane recovery school gymnasiums in the U.S. Virgin Islands; temporary classrooms in American Samoa; homeless shelters in Hawaii; and hurricane recovery buildings in New Orleans. With limited foundation requirements and over two-million square feet of inventory available for immediate needs, Sprung structures can be quickly and efficiently constructed almost anywhere.

Core applications in Emergency Relief & Disaster Recovery:

- Medical facilities, including intensive care units, isolation, and testing facilities
- School gymnasiums
- Correctional facilities
- Homeless shelters in over 15 cities, such as Los Angeles, San Diego, San Francisco and Oahu
- Aircraft hangars
- Offices and corporate-use space
- Distribution facilities
- Warehousing
- Operation centers
- Foodservice buildings
- Places of worship

www.disasterecovery.com

Salt Lake City Campus
Sprung Instant Structures, Inc.
 5711 West Dannon Way
 West Jordan, UT, United States 84081

Toll Free: 1.800.528.9899
 Phone: 1.801.280.1555
 Email: info@sprung.com

Aldersyde Campus
Sprung Instant Structures Ltd.
 PO Box 62, Maple Leaf Road
 Aldersyde, AB, Canada T0L 0A0

Toll Free: 1.800.528.9899
 Phone: 1.403.601.2292
 Email: info@sprung.com

Middle East Offices
Sprung Structures DWC-LLC
 P.O. Box 712185, Dubai, United Arab Emirates
 Phone: 971508312274

Sprung Instant Structures E.C.
 Office 45 Building 225, Road 28, Block 328
 Siqqayyah Manama 999, Bahrain BH 26105
 Phone: 9 733 951 1127
 Email: uae@sprung.com



Differentiators

Through design and innovation spanning five generations, Sprung structures excel in performance, durability, strength and sustainability. Advantages include:

Immediate Delivery

- Over two-million square feet of inventory available to meet immediate project and delivery needs
- Global manufacturing and distribution resources ensure fast delivery; most Sprung Structures can be delivered in 3 weeks or less of order

Rapid Construction

- Build non-insulated structures at a rate of up to 2,000 square feet per day; 1,000 square feet per day if insulated
- Structures can be erected on existing concrete, asphalt parking lots, or earth

High-Performance Aluminum Substructure

- Rust-free, military-grade aluminum substructure provides unlimited lifespan, superior performance, malleability and durability, backed by Sprung's 50-year pro-rata guarantee

Structural Accessories

- Sprung's array of accessories include vestibules, connecting corridors, windows and glazing walls
- Peak-integrated daylight panels allow optimal levels of natural light to enhance interior environments and support energy efficiency

Extreme All-Weather Durability

- Fire-resistant exterior architectural membrane endures severe weather events and temperatures from -60°F (-51°C) to 122°F (+50°C)
- By example, Sprung structures:
 - Meet wind speeds of 180 miles per hour in Guam
 - Shed and withstand record-breaking snowfall in the High Sierra Mountains
 - Handle extreme heat conditions throughout the Middle East
 - Endure severe cold throughout the Canadian Arctic and remote regions of Russia

Flexibility

- Designed for permanence, but with ability to be reconfigured, disassembled or relocated
- Quickly and easily expanded or relocated
- Clear-span design adapts to multi-use applications for most market sectors
- No subsurface foundation requirements for temporary structures up to 160 feet wide, with appropriate soil conditions

Fast, Compact, Cost Effective Shipping

- In urgent cases, structures can be airfreighted

The Sprung Advantage

- Purchase, lease, or lease with option to purchase
- Pro-rata guarantee of 50 years on aluminum substructure and up to 25 years on the architectural membrane
- Sprung team manufactures and delivers its own products; manufacturing and distribution centers across North America and the Middle East and offices around the world

www.disasterecovery.com

Salt Lake City Campus
Sprung Instant Structures, Inc.
5711 West Dannon Way
West Jordan, UT, United States 84081

Toll Free: 1.800.528.9899
Phone: 1.801.280.1555
Email: info@sprung.com

Aldersyde Campus
Sprung Instant Structures Ltd.
PO Box 62, Maple Leaf Road
Aldersyde, AB, Canada T0L 0A0

Toll Free: 1.800.528.9899
Phone: 1.403.601.2292
Email: info@sprung.com

Middle East Offices
Sprung Structures DWC-LLC
P.O. Box 712185, Dubai, United Arab Emirates
Phone: 971508312274

Sprung Instant Structures E.C.
Office 45 Building 225, Road 28, Block 328
Siqqayyah Manama 999, Bahrain BH 26105
Phone: 9 733 951 1127
Email: uae@sprung.com



Past Performance

Select Disaster Recovery projects

- Ground Zero in New York City, NY, 2001
- High River Floods, AB, 2013
- US Virgin Islands Department of Education, Hurricanes Irma and Maria, 2017
- American Samoa Tsunami, 2009
- Salvation Army, Hurricane Katrina, LA., 2005

Select clients, all industries

- | | |
|---|--|
| <ul style="list-style-type: none"> • Tesla • Salvation Army • NASA • US Virgin Islands, Department of Education • FedEx • United States Environmental Protection Agency • Mercedes-Benz • AECOM • Bechtel • Fluor | <ul style="list-style-type: none"> • Blue Origin • Canadian Pacific Railway • Harvard Business School • Hilton Hotels • US Army Corp of Engineers • FEMA • Samaritan's purse • Vail Resorts • Marriott Hotels |
|---|--|

Licensing & Certifications

FSC:	5450
NAIC Codes:	332311, 531120
CAGE Code:	098U8
DUNS:	61-453-3362
UN VENDOR:	Vendor ID 31029
DUN & BRADSTREET	206-358517
Standard Industrial Classification (SIC)	344 4225
	15410000 Industrial Building Warehouses
	24510201 Mobile Building
	50390100 Prefabricated Structure
	50390103 Prefabricated Building
	83220304 Emergency Shelter
ISO:	9001:2015
GSA CONTRACT #:	47QSWA19D005G / GS-07F-089JA

www.disasterecovery.com

Salt Lake City Campus
Sprung Instant Structures, Inc.
5711 West Dannon Way
West Jordan, UT, United States 84081

Toll Free: 1.800.528.9899
Phone: 1.801.280.1555
Email: info@sprung.com

Aldersyde Campus
Sprung Instant Structures Ltd.
PO Box 62, Maple Leaf Road
Aldersyde, AB, Canada T0L 0A0

Toll Free: 1.800.528.9899
Phone: 1.403.601.2292
Email: info@sprung.com

Middle East Offices
Sprung Structures DWC-LLC
P.O. Box 712185, Dubai, United Arab Emirates
Phone: 971508312274

Sprung Instant Structures E.C.
Office 45 Building 225, Road 28, Block 328
Siqqayyah Manama 999, Bahrain BH 26105
Phone: 9 733 951 1127
Email: uae@sprung.com

THANK YOU

FOR IMMEDIATE 24-HOUR RESPONSE CONTACT
EMRESPONSE@BLTCONSTRUCTION.COM