



COVID-19 RAPID RESPONSE: MOBILE MEDICAL UNITS



PROPOSED SPRUNG STRUCTURE SOLUTION FOR ILLUSTRATIVE PURPOSES

FOR IMMEDIATE 24-HOUR RESPONSE CONTACT
EMRESPONSE@BLTCONSTRUCTION.COM

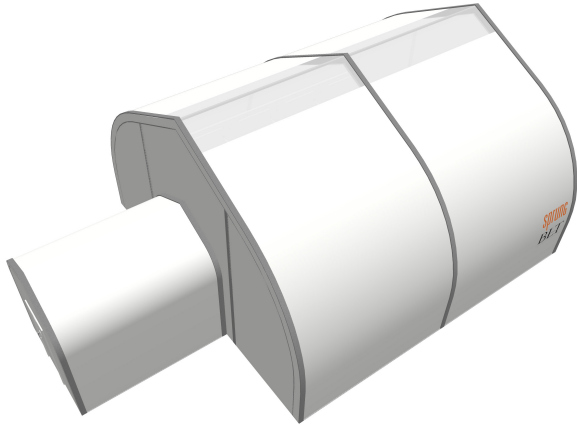
MARK WATTS 416-677-0948 | DAVE BARROW 416-677-0954 | PAUL WADDELL 416-688-3560



RAPID RESPONSE BUILDING SOLUTION

Sprung Structures are prefabricated structures that are rapidly deployable by air or ground from a centralized logistics centre.

These structures can be erected quickly, are easily dismantled, and can be repurposed and reused. This is a turnkey solution with Installation options available.



CAPABILITY IN NORTHERN CLIMATES

Sprung Structures are ideal for northern climates with R-25 insulation capabilities, plus a host of fit-out options for medical use including power, and HVAC with negative pressure systems.

The structure's performance architectural membrane is anti-microbial and suited for medical applications.

