



COVID-19 RAPID RESPONSE: MOBILE MEDICAL UNITS



PROPOSED SPRUNG STRUCTURE SOLUTION FOR ILLUSTRATIVE PURPOSES

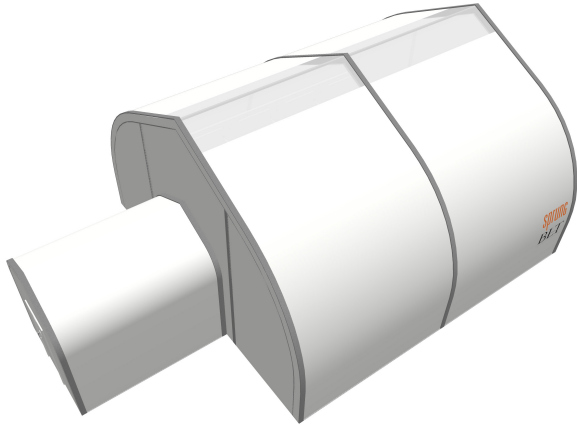
FOR IMMEDIATE 24-HOUR RESPONSE CONTACT
LANCE ANDRE 604-308-8855 | LANCE@ALPHASKYDEVELOPMENT.COM
MARK WATTS 416-677-0948 | EMRESPONSE@BLTCONSTRUCTION.COM



RAPID RESPONSE BUILDING SOLUTION

Sprung Structures are prefabricated structures that are rapidly deployable by air or ground from a centralized logistics centre.

These structures can be erected quickly, are easily dismantled, and can be repurposed and reused. This is a turnkey solution with Installation options available.



CAPABILITY IN NORTHERN CLIMATES

Sprung Structures are ideal for northern climates with R-25 insulation capabilities, plus a host of fit-out options for medical use including power, and HVAC with negative pressure systems.

The structure's performance architectural membrane is anti-microbial and suited for medical applications.

